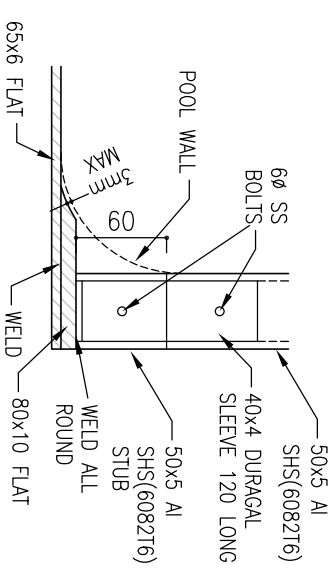
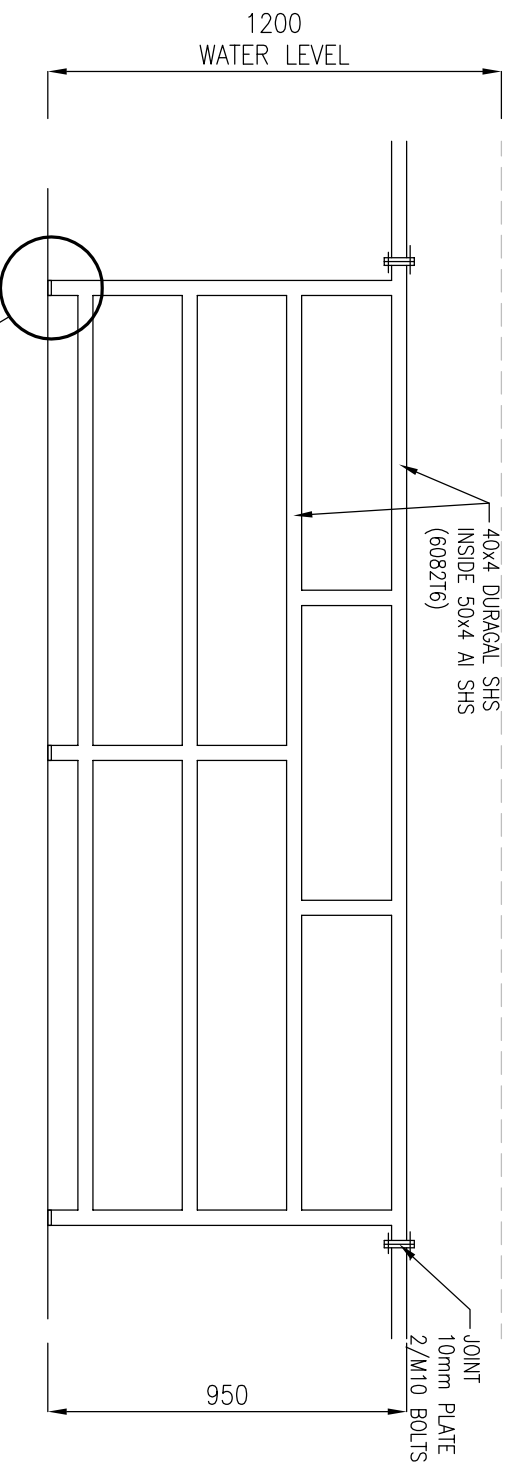


PLAN
SCALE 1 : 50

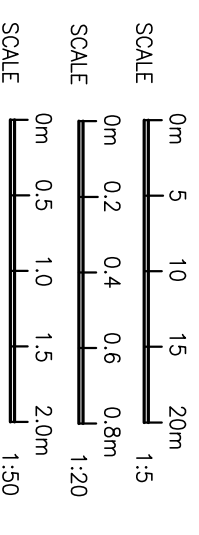


DETAIL FOR POST BASE
SCALE 1 : 5



ELEVATION
SCALE 1 : 20

WELED FRAME
ALL FRAMING 50x5 AI SHS (6082T6) UNO



POLYWORLD

DATE AMENDMENT

DRAWING TITLE
STRUCTURAL DETAILS

PROJECT
POLY POOL SUPPORT FRAME

Registered Engineer:

DRAWN EGB DATE: NOV 18

APPROVED DATE: NOV 18

DRAWING NO. 18-585

HUGH GERHANN 22/11/18

DATE: NOV 18

1 of 1

R.P.E.O. 4008

Scale AS SHOWN

Amendment: